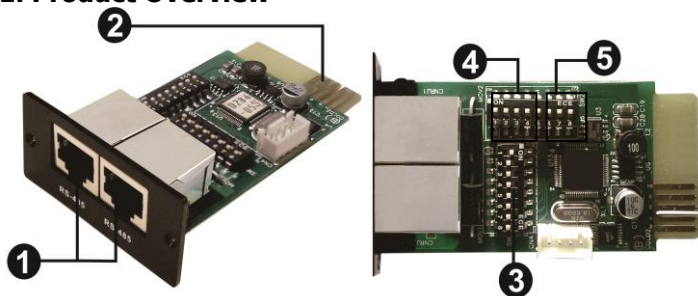


Thank you for purchasing Modbus Card. This manual contains instructions and warnings that should be followed during the installation, operating and storage of the card. Please keep this manual for further reference.

Special Precautions

- If the card must be stored prior to installation; storage must be in a dry place.
- The admissible storage temperature range is from -10°C to +70°C.

1. Product Overview

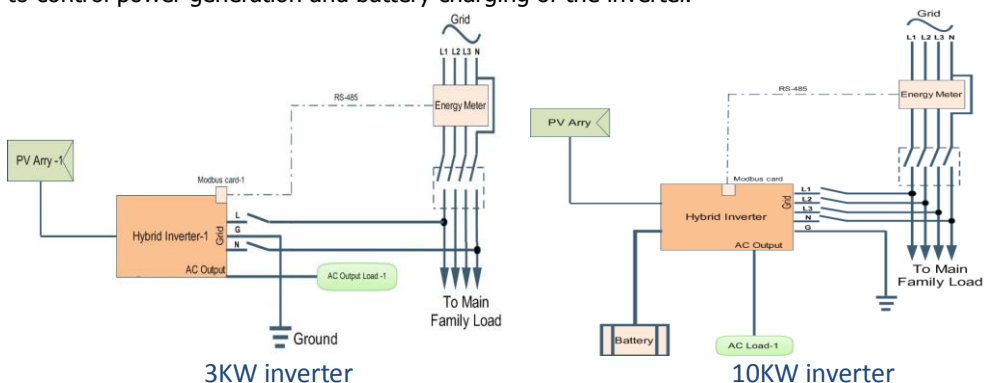


- ❶ RS-485 port
- ❷ Golden finger
- ❸ Address switch
- ❹ Communication setting
- ❺ Resistance switch

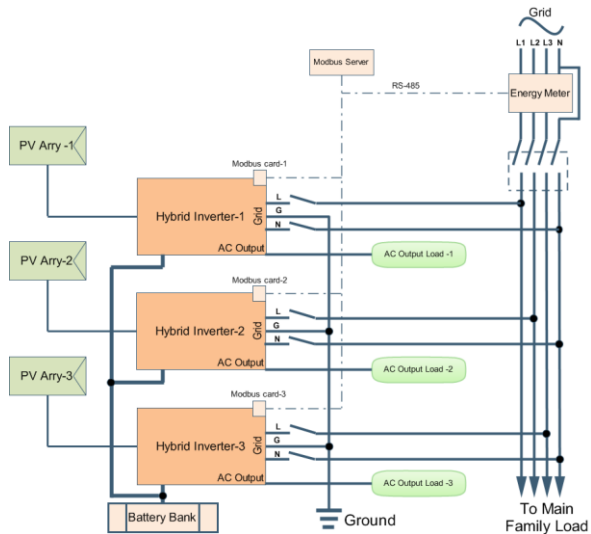
2. Product Introduction

Note: Default setting for baud rate is 19200bps.

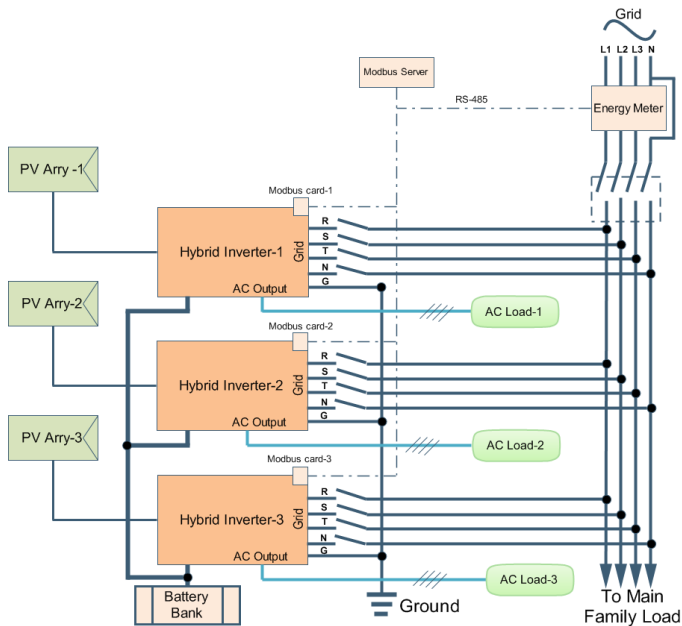
1) For single inverter application: Equipped with Modbus card, hybrid inverter is connected to energy meter with RS485 communication port. It's to arrange self-consumption via Modbus card to control power generation and battery charging of the inverter.



2) For three-inverter application: Equipped with Modbus card, three hybrid inverters are connected to energy meter with RS485 communication port. As a control center, Modbus server will control power generation and battery charging of three inverters via Modbus card for successful self-consumption.



3KW inverter



10KW inverter